

iscope®

fluo-LED attachment



*supplementary*  
user manual

# Contents

Introduction	3
Safety notes	3
Safety Symbols	3
Maintenance and storage	3
Components	4
Assembly of the microscope	4

## Introduction

The iScope series has been designed with all kind of Life Sciences applications and great durability in mind. This resulted in a modern, robust and high level microscope for everyday use, equipped with excellent optical and mechanical components. Specific attention to production methods resulted also in an excellent price/performance ratio



This manual is supposed to be used together with the general manual for the iScope series supplied with this microscope. Please read the manual in full before you start working with your microscope

## Safety notes


1. The Euromex FLUO-LED fluorescent attachment is a delicate instrument. Carefully open the box, avoid the accessories dropping and being damaged
2. Please keep the instrument out of direct sunlight, high temperature or humidity, dusty and vibrant environment
3. Verify that the voltage and the frequency of the AC mains outlet match the setting of the voltage switch and the frequency switch on the rear of the power supply units
4. To prevent any hazard, always turn the main switch on the power supply unit to "O" (OFF), unplug the power cord plug from the mains outlet before moving the microscope, doing maintenance etc.
5. To prevent obstruction of the air flow, it is important to make sure to leave enough space around the microscope

## Safety Symbols

The following symbols are found on the system. Study the meaning of the symbols and always use the equipment in the safest possible manner

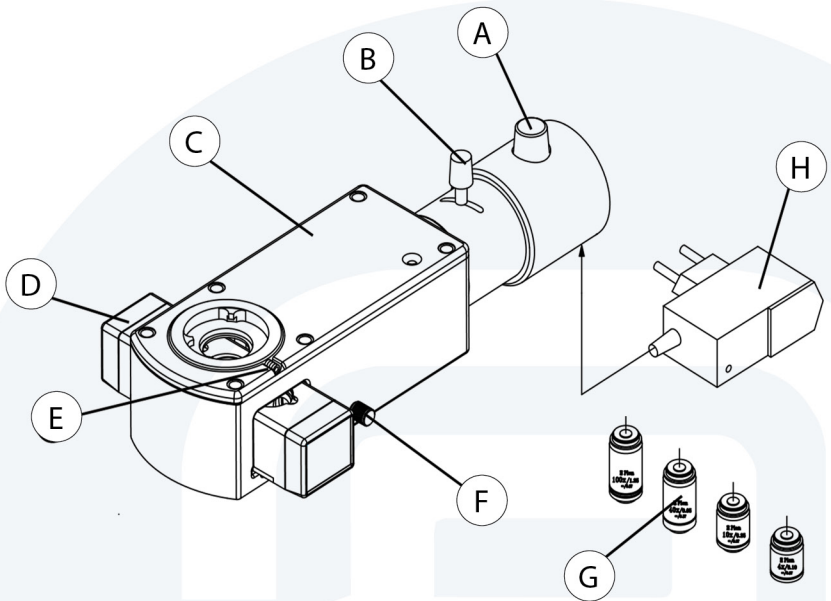
Symbol	Explanation
	Indicates that the surface becomes hot, and should not be touched with bare hands
	Before use, read the user manual carefully. Improper handling could result in personal injury to the user and/or damage to the equipment
I	Indicates that the main switch is ON
O	Indicates that the main switch is OFF

## Maintenance and storage

1. Clean all glass components by wiping gently with cleaning cloth. To remove fingerprints or oil smudges, wipe with gauze slightly moistened with a mixture of ether (70%) and alcohol (30%). The Euromex cleaning kit is also very suitable, it holds all components needed.  
 Since solvents such as ether and alcohol are highly flammable, they must be handled carefully. Be sure to keep these chemicals away from open flames or potential sources of electrical sparks—for example, electrical equipment that is being switched on or off. Also remember to always use these chemicals only in a well-ventilated room. Euromex cleaningkit agent are non-alcohol, non-toxic, inflammable
2. Do not attempt to use organic solvents to clean the non-optical component of the equipment. To clean these, use a lint-free, soft cloth lightly moistened with a diluted neutral detergent
3. Do not disassemble any part of the power supply unit as malfunction or damage may occur

## Components

- |   |                                       |
|---|---------------------------------------|
| <b>A.</b> Brightness adjustment knob              | <b>E.</b> Fastening bolt              |
| <b>B.</b> Condenser focusing knob                 | <b>F.</b> Light barrier control lever |
| <b>C.</b> Main body of the fluorescent attachment | <b>G.</b> Microscope objectives       |
| <b>D.</b> Filter subassembly                      | <b>H.</b> Power adapter               |



## Assembly of the microscope

1. Loosen the clamping screw (1) on the iScope microscope and remove the binocular (or trinocular) viewing head from the body of microscope
2. Insert the main body of the FLUO-LED fluorescent attachment into the upper part of the iScope and tighten the clamping screw (1)
3. Insert the binocular viewing head into the main body of the fluorescent attachment and tighten the clamping screw (2) to fix the head

**Note:**

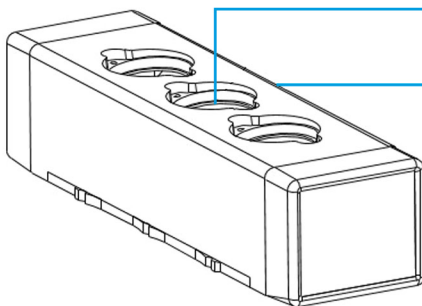
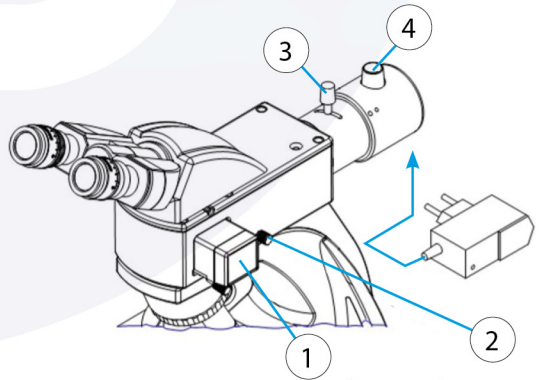
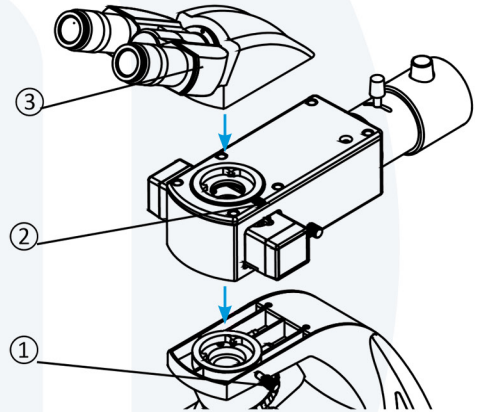
Both the top and bottom illumination system can be used while working with the iScope. While using the fluorescent attachment please turn of the brightfield (bottom) illumination. Set the filter subassembly to the middle position for fluorescence. For normal brightfield observation, use the bottom illumination while the fluorescence illumination is turned off. The filter subassembly has to be set to the empty filter position

**Operation**

- Set the filter subassembly (1) at the middle position to engage the fluorescence filter into the light path
- Connect the power supply onto the microscope, turn on the main switch and adjust brightness adjustment knob (4) to a proper intensity
- Adjust the condenser focusing knob (3) to make the field of view full
- Place the specimen on the stage for observation and operation
- During observation, use the light barrier lever (2) to obscure the light path so that the main switch is not turned on and off frequently

1. Filter
2. Light barrier control
3. Condenser focusing knob
4. Main switch and brightness adjustment

The standard Euromex FLUO-LED fluorescent attachment is equipped with either a green or a blue fluorescence filter (placed in the middle position)



B or G - emitter filter

B or G - excitation filter



euromex.academy