

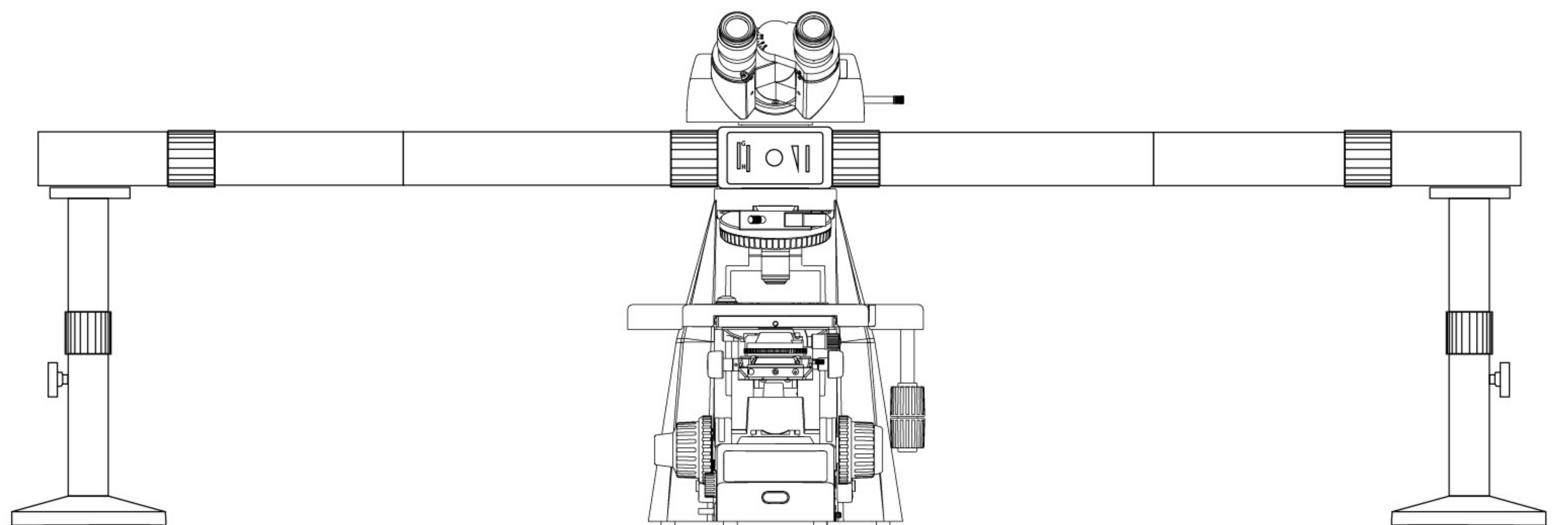
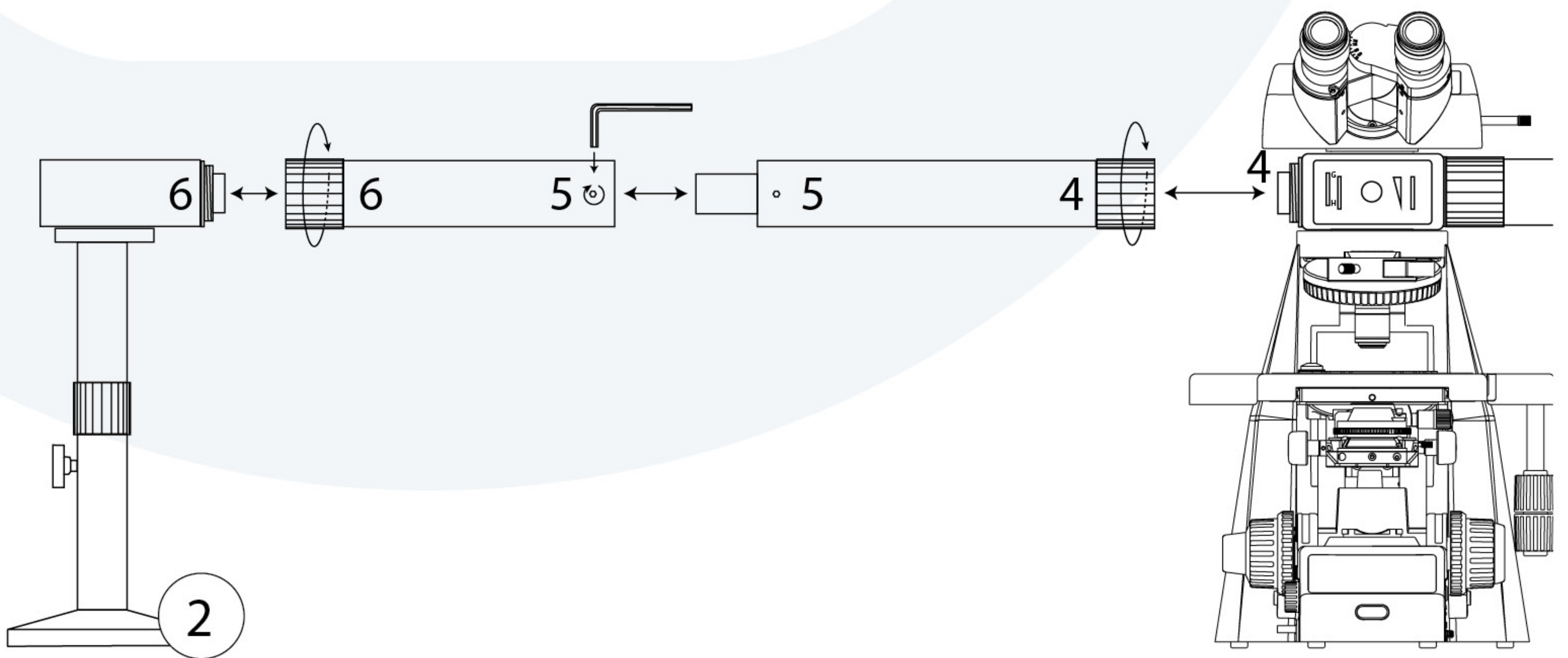
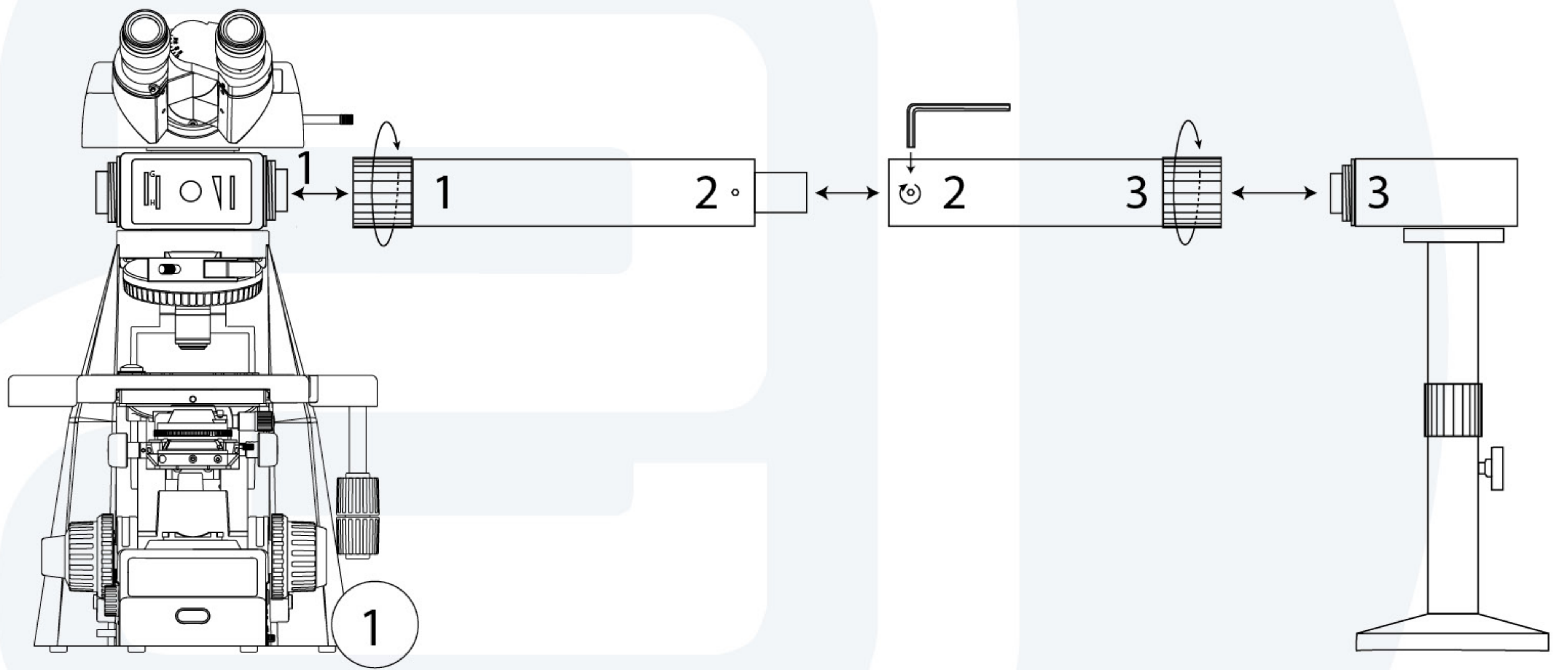
Delphi-X Observer

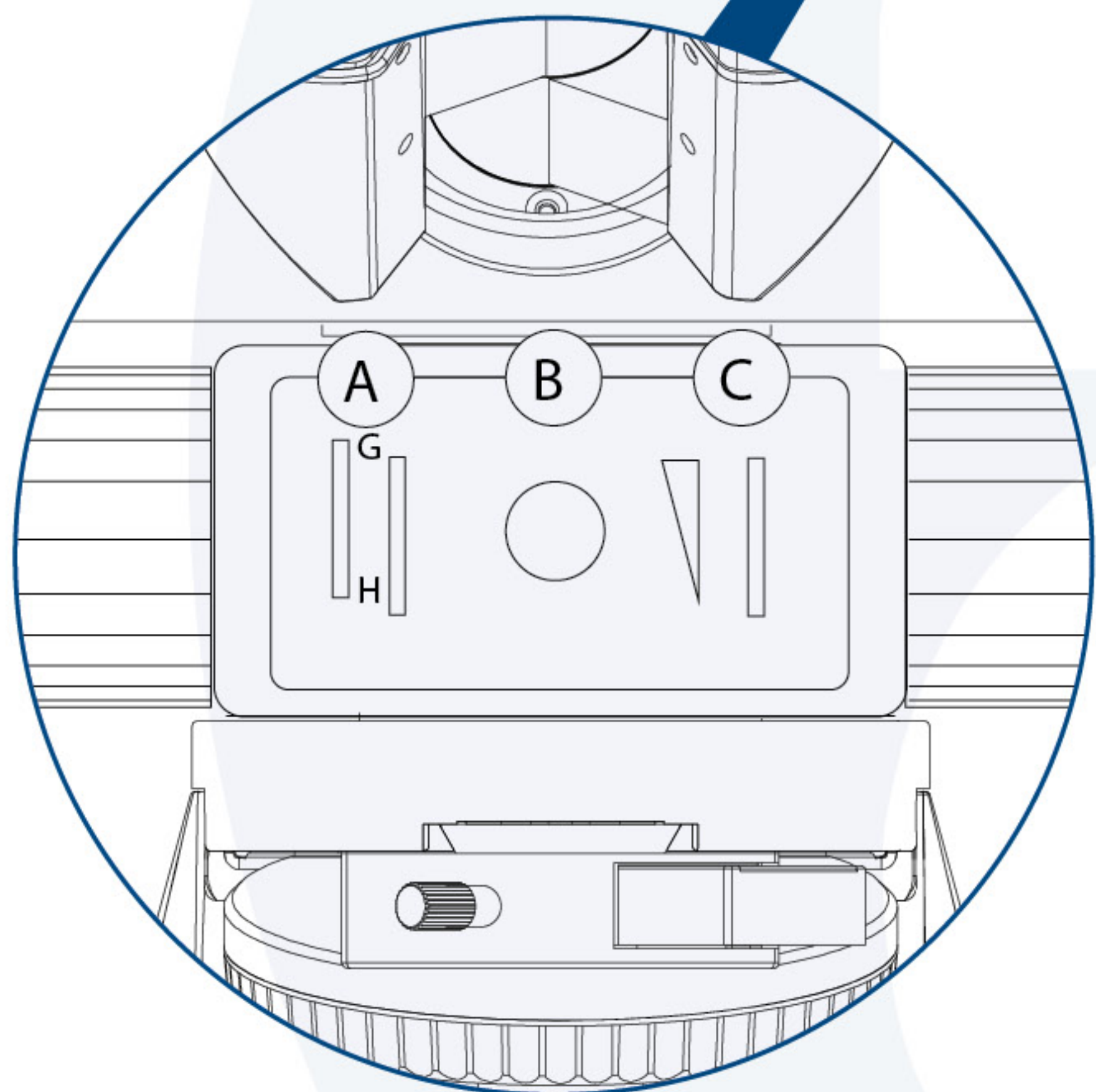
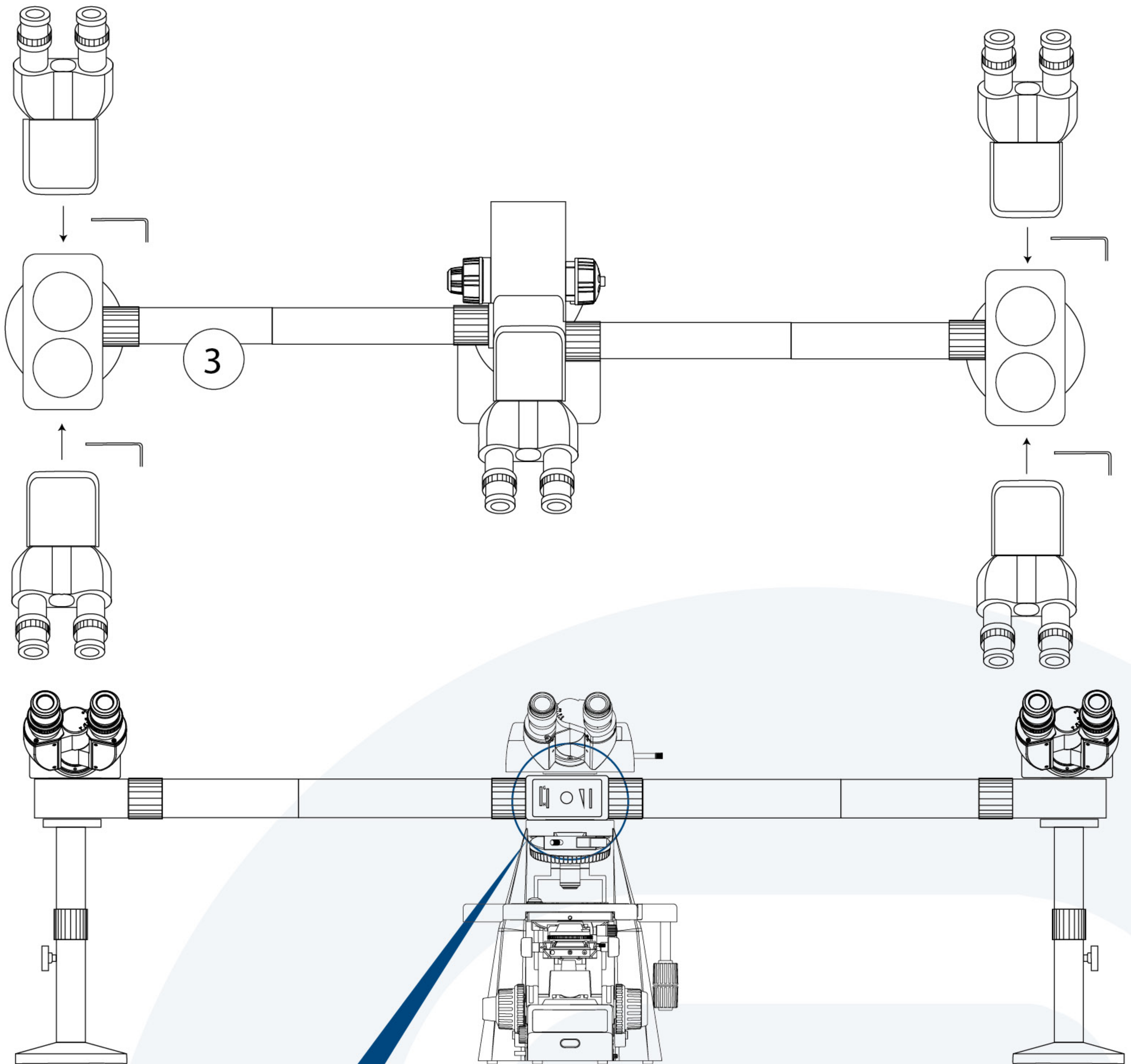
multihead 2/3/5 • Mehrfachkopfsystem 2/3/5 • Multi-têtes 2/3/5
Sistema de múlti-cabecal 2/3/5 • Sistemi multi-osservatore 2/3/5 • multiheads 2/3/5



DX.1156-PLi5

user manual (EN)
Benutzerhandbuch (DE)
manuel d'utilisation (FR)
manual de usuario (ES)
manuale utente (IT)
handleiding (NL)





EN

- A. Choose pointer color
- B. Move pointer
- C. Select pointer intensity

ES

- A. Choose pointer color
- B. Move pointer
- C. Select pointer intensity

DE

- A. Choose pointer color
- B. Move pointer
- C. Select pointer intensity

IT

- A. Choose pointer color
- B. Move pointer
- C. Select pointer intensity

FR

- A. Choose pointer color
- B. Move pointer
- C. Select pointer intensity

NL

- A. Kies aanwijspaal kleur
- B. Beweeg aanwijspaal
- C. Selecteer aanwijspaalhelderheid



Typograaf 8 • 6921 VB Duiven • The Netherlands • T +31 (0) 26 323 22 11 • www.euromex.com

Euromex Microscopen BV

