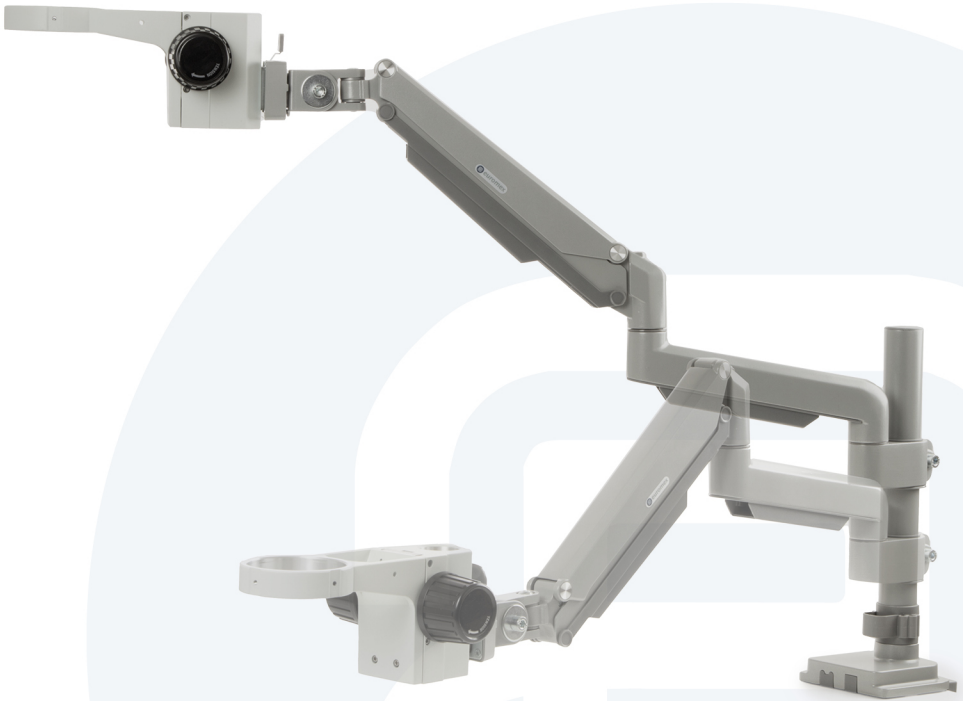
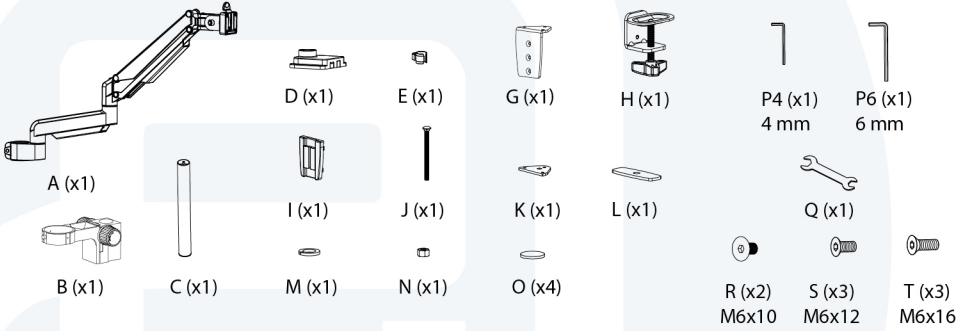


# NZ.9047

stand • Stativ • statif  
estativo • stativo • statief



# Contents



# Construction

